



Fig. 0313 Series Installation and Spare Parts Manual

Wheel or Lever/Gear Control
Solar-Ray® Sealed Beam 8" Searchlights



PERKO, INC. • 16490 N.W. 13th Avenue • Miami, FL 33169-5707 • www.perko.com



Fig. 0313 Wheel or Lever Control Sealed Beam Solar-Ray® Series Installation Manual

Table of Contents

	Page
• Fig. 0313 8" Searchlight Spare Parts Diagram.....	3
• Fig 0313 with 0852 Wheel Control Assembly Installation Instructions	4
• Fig. 0852 Wheel Control Assembly Spare Parts Diagram	5
• Fig 0313 with 0969 Lever/Gear Control Assembly Installation Instructions	6
• Fig. 0969 Lever/Gear Control Assembly Spare Parts Diagram	7
• 7" Base Mounting Template	8
• Solar-Ray® Searchlight Limited Warranty.....	9



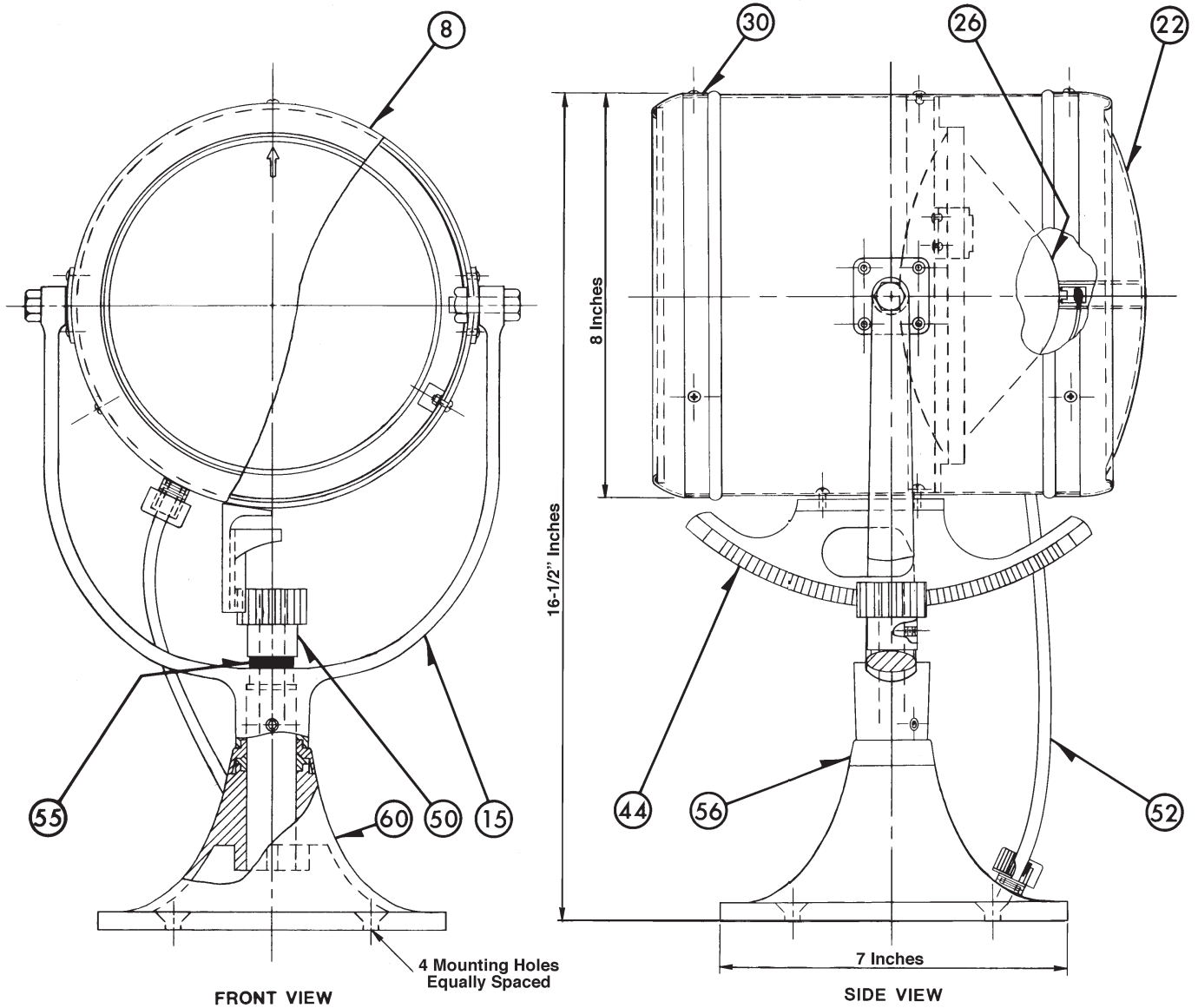
**Fig. 0313
Searchlight
Head**

**Fig. 0852
Wheel Control**



**Fig. 0696
Lever/Gear
Control**

Fig. 0313 8" Solar-Ray® Sealed Beam Searchlights Spare Parts and Notes



Notes

NOTE 1

Seal Beam Data

Voltage	Wattage	Approximate Candlepower	Sealed Beam Range Miles	Sealed Beam Catalog No.
12	100	250,000	5/8	043300312V
24	450	470,000	3/4	043300324V
32	200	260,000	5/8	043300332V

NOTE 2 THIS SEARCHLIGHT AND ASSEMBLY IS COMPATIBLE WITH FIG. 0852 WHEEL CONTROL ASSEMBLY AND FIG 0969 LEVER/GEAR CONTROL ASSEMBLY. SEE FIG. 0852 AND 0969 PRINTS IN THIS MANUAL FOR CONTROL DIMENSIONS AND COMPLETE SEARCHLIGHT AND CONTROL FIG. NUMBER DESIGNATIONS.

Bill of Material

Item	Spare Part	Description	Qty.
30	0354000*	Lens with Bezel	1
22	0355000*	Rear Cover With Screws	1
8		Drum Assembly	1
15		Fork Assembly Complete	1
60	0850000*	Base Assembly Complete*	1
44		Gear Rack	1
26	0433003**	Sealed Beam Unit (See Note 1)	1
55	0884SPR055	Shaft Seal	1
52		Cable Assembly Complete	1
50	0905	Pinion Gear (Supplied with Controls)	1
56	0884SPR056	Base Seal	1

*Specify Finish (CHR/WHT)

** Specify Voltage (12V, 24V, 32V)

Fig. 0313 Searchlights to be installed with Fig. 0852 Wheel Control Assembly

ASSEMBLY AND INSTALLATION INSTRUCTIONS

**NOTE: STOP COLLAR ASSEMBLY ON 1 INCH CONTROL TUBE IS
FACTORY PRE-SET AT 3-9/16 INCHES. DO NOT LOOSEN.**

1. Place Head Assembly on flat area with lens down. Remove wheel control assembly from box. Remove pinion gear from the control assembly. With "O" ring seal in place, insert the control assembly through the base into the main fork.
2. Important - to prevent leakage, apply pressure on "O" ring seal (by pushing control assembly into the base) while tightening 3 set screws in fork hub.
3. Replace pinion gear and tighten set screw.
4. Insert electric wire through searchlight base and tighten packing gland.
5. Remove wheel control assemblies and ceiling plate from control tube and rod
6. Select base mounting template for 7" base. Drill holes in deck, per template.
7. Place searchlight assembly through the cabin roof in proper position and thru-bolt with 5/16 inch machine screws (not supplied).
8. Install ceiling plate and wheel control assembly.
9. Wiring must be according to applicable standards and performed by a qualified marine electrician.

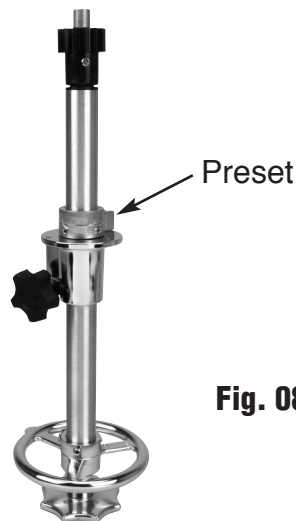


Fig. 0852

0852 Wheel Control Assembly Spare Parts Diagram

Bill of Material

Item	Spare Part	Description	Qty.
12	0851SPR012	Fixed Stop Collar	1
19		Vert. Control Rod (See Note 2)	1
20		Horiz. Control Tube (See Note 2)	1
21	0851SPR021	Horizontal Lock/Ceiling Plate	1
22	0851SPR022	Lock Knob with Spacer	1
23	0852SPR023	Horizontal Control Wheel	1
24	0852SPR024	Vertical Control Wheel	1
25	0851SPR025	Upper Control Tube Bushing	1
26	0851SPR026	Floating Stop Collar	1
27	0851SPR027	O-Ring Seal	1
28	0851SPR028	Lower Control Tube Bushing	1
29	0905	Pinion Gear (Plastic)	1

NOTE 1:

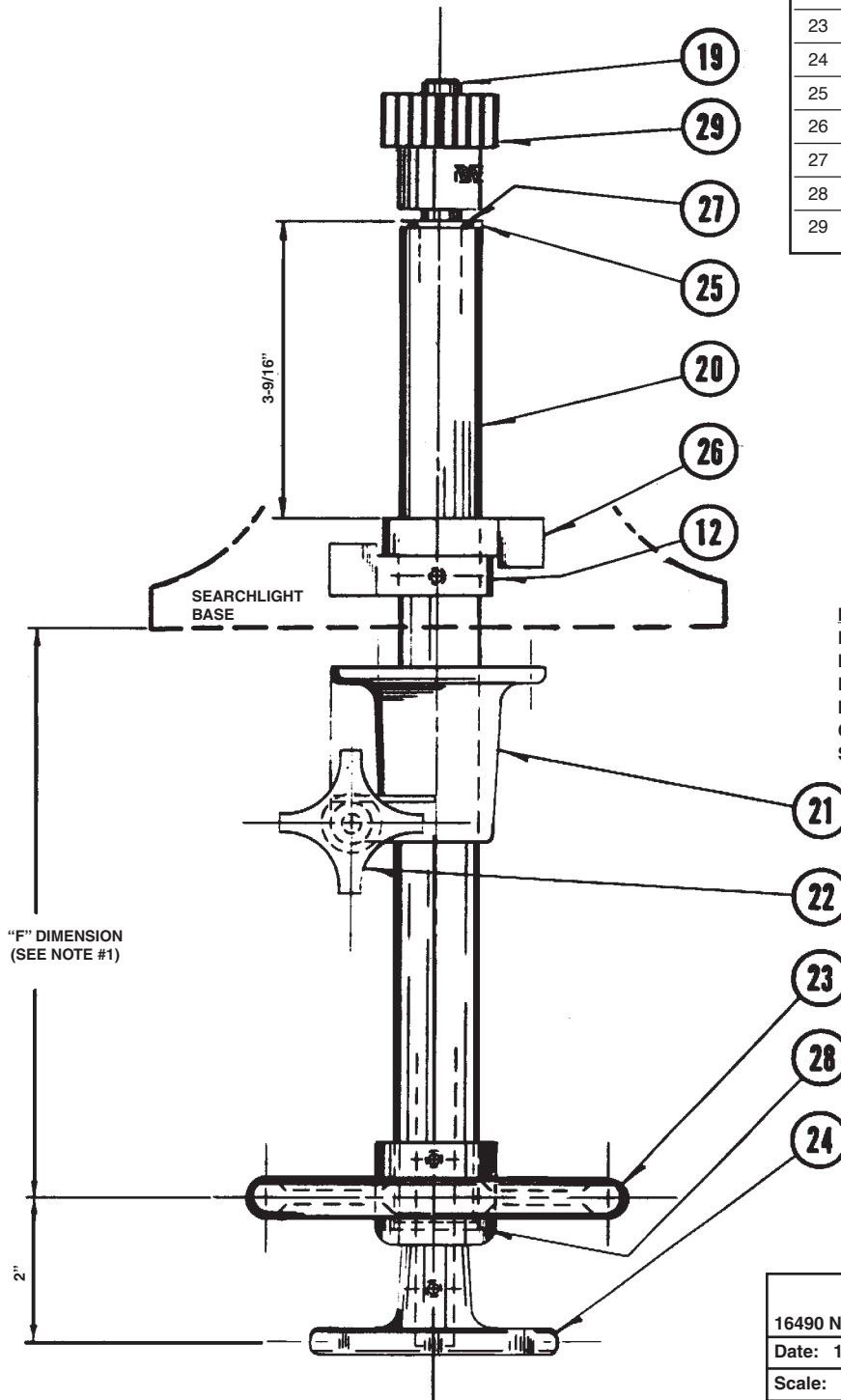
**CAT. NO.: 0852 SERIES
CONTROL ASSEMBLIES**

"F" Length Control Inches	For Standard Pedestal Cat. No.	For Medium Pedestal Cat. No.	For High Pedestal Cat. No.
7-1/2	0852000*	0852M00*	0852H00*
14-1/2	08520A0	0852MA0	0852HA0
21-1/2	08520B0	0852MB0	0852HB0
28-1/2	08520C0	0852MC0	0852HC0

*Maximum Ceiling Thickness, 3 Inches.

NOTE 2:

LENGTHS OF SPARE VERTICAL CONTROL RODS AND HORIZONTAL CONTROL TUBES MUST BE SPECIFIED BY THE "F" DIMENSION AS SHOWN ON THE CHART IN NOTE 1, IN ADDITION TO THE CONTROL ASSEMBLY CAT. NO. OTHER DIMENSIONS AVAILABLE ON SPECIAL ORDER.



PERKO®	
16490 N.W. 13th Avenue	Miami, FL 33169-5707
Date: 1-6-83	Drawn By: D. Beutler
Scale: None	Revised: 5/5/16
Cat. No. 0852 Series Searchlight Wheel Controls Fits: 0313 & 0885 Series Searchlight Head Assemblies	

Fig. 0313 Searchlight to be installed with Fig. 0969 Lever/Gear Control Assembly

ASSEMBLY AND INSTALLATION INSTRUCTIONS

**NOTE: STOP COLLAR ASSEMBLY ON 1 INCH CONTROL TUBE IS
FACTORY PRE-SET AT 3-9/16 INCHES. DO NOT LOOSEN.**

1. Place Head Assembly on flat area with lens down. Remove lever/gear control assembly from box. Remove pinion gear from the control assembly. With "O" ring seal in place, insert the control assembly through the base into the main fork with the twist lever handle pointing straight up.
2. Important - to prevent leakage, apply pressure on "O" ring seal (by pushing control assembly into the base) while tightening 3 set screws in fork hub.
3. Replace pinion gear and tighten set screw.
4. Insert electric wire through searchlight base and tighten packing gland.
5. Remove twist lever handle assembly and ceiling plate from control tube and rod.
6. Select base mounting template for 7" base. Drill holes in deck, per template.
7. Place searchlight assembly through the cabin roof in proper position and thru-bolt with 5/16 inch machine screws (not supplied).
8. Install ceiling plate and twist lever handle assembly.
9. Wiring must be according to applicable standards and performed by a qualified marine electrician.

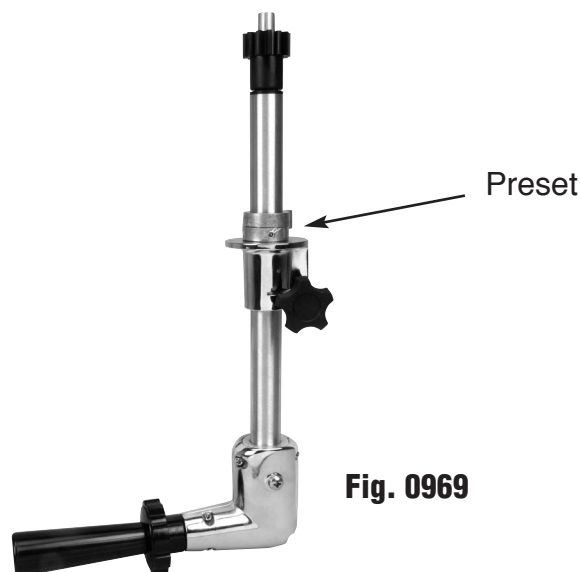
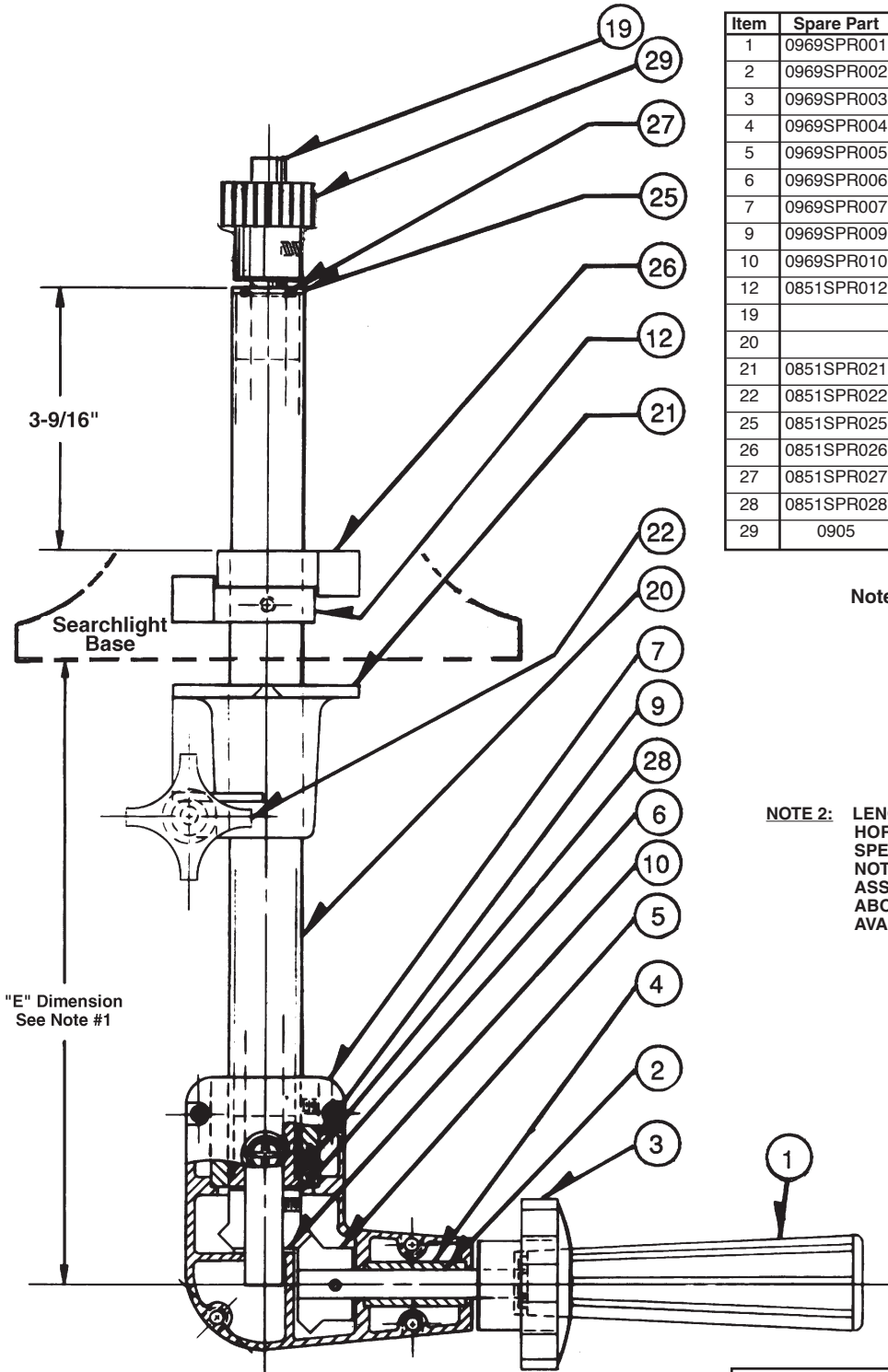


Fig. 0969

0969 Lever/Gear Control Assembly Spare Parts Diagram



Bill of Material

Item	Spare Part	Description	Qty.
1	0969SPR001	Control Handle (Plastic)	1
2	0969SPR002	Control Shaft, 3/8 IN. Dia., S.S	1
3	0969SPR003	Vertical Lock Knob	1
4	0969SPR004	Sleeve Bushing	1
5	0969SPR005	Control Gear 3/8 IN. Bore	1
6	0969SPR006	Control Gear 1/2 IN. Bore	1
7	0969SPR007	Control Housing With Screws	1
9	0969SPR009	Adapt. Bush.(Alum.) w/Set Screw	1
10	0969SPR010	Thrust Washer (Plastic)	1
12	0851SPR012	Fixed Stop Collar	1
19		Vert. Control Rod (See Note #2)	1
20		Horiz. Control Tube (See Note #2)	1
21	0851SPR021	Horizontal Lock/Ceiling Plate	1
22	0851SPR022	Lock Knob With Spacer	1
25	0851SPR025	Upper Control Tube Bushing	1
26	0851SPR026	Floating Stop Collar	1
27	0851SPR027	O-Ring Seal	1
28	0851SPR028	Lower Control Tube Bushing	1
29	0905	Pinion Gear (Plastic)	1

Note 1: 0969 Series Control Assemblies

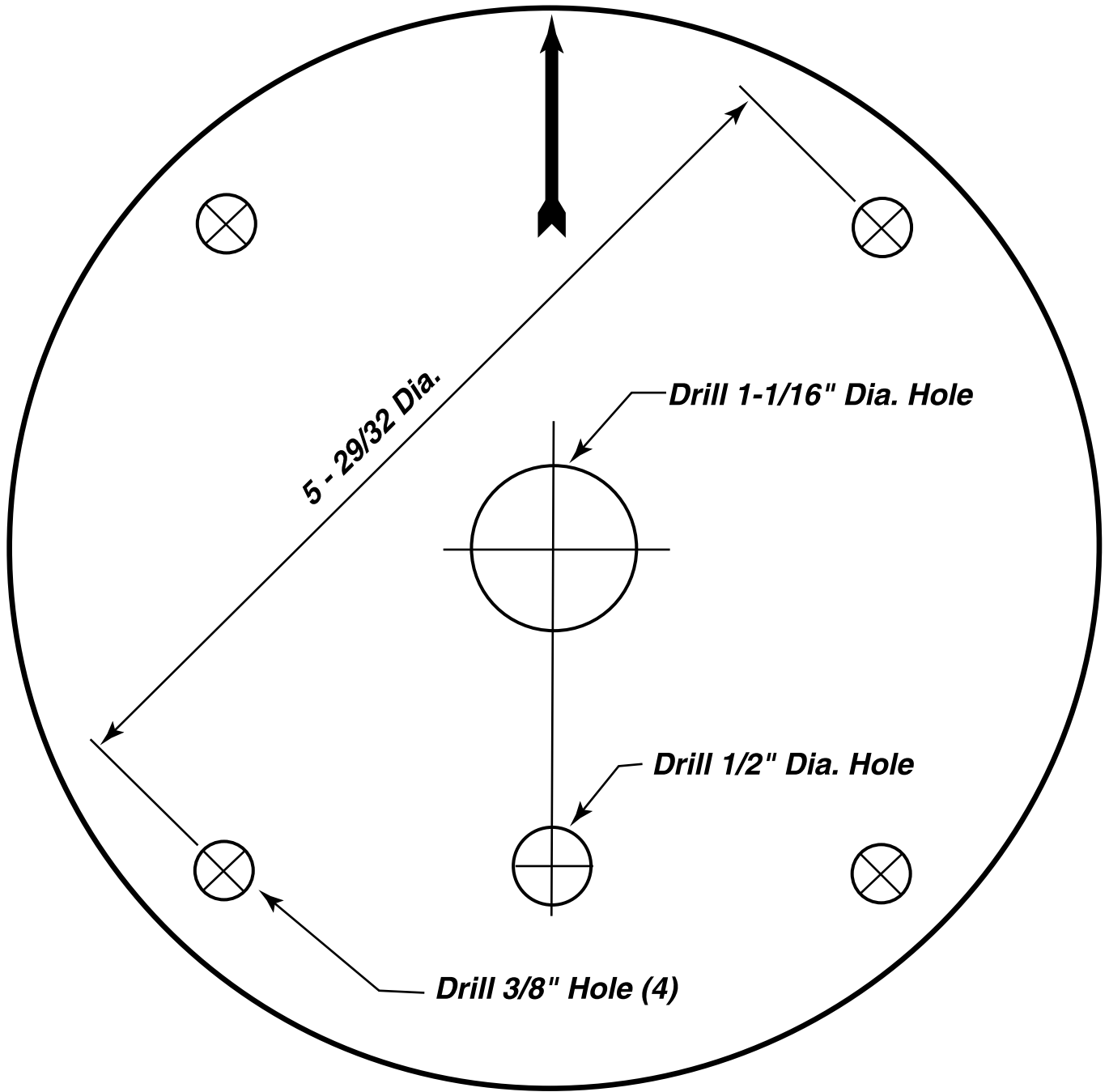
Control Assy. Fig. No.	"E" Dimension
0969000	8-1/2 In.
09690A0	15-1/2 In.
09690B0	22-1/2 In.
09690C0	29-1/2 In.

NOTE 2: LENGTHS OF VERTICAL CONTROL RODS AND HORIZONTAL CONTROL TUBES MUST BE SPECIFIED BY THE "E" DIMENSION AS SHOWN IN NOTE #1. IN ADDITION TO THE CONTROL ASSEMBLY CAT. NO. IN COLUMN TWO OF THE ABOVE CHART. OTHER DIMENSIONS ARE AVAILABLE ON SPECIAL ORDER BASIS.

"E" Dimension
See Note #1

PERKO®	
16490 N.W. 13th Avenue	Miami, FL 33169-5707
Date: 1-6-83	Drawn By: D. Beutler
Scale: None	Revised: 5/5/16
Cat. No. 0969 Series Searchlight Lever Gear Controls Fits: 0313 & 0885 Series Searchlights	

FORWARD



AFT

Caution: Check for correct searchlight base diameter before drilling mounting holes.

PERKO®	
16490 N.W. 13th Avenue	Miami, FL 33169-5707
Date: 4/11/95	Drawn By: H. Ahmed
Scale: Full	Checked By:
7" BASE TEMPLATE	
Base for Fig. Nos. 0883, 0884, 0885, 0305, 0313 (Standard Pedestal Only)	

PERKO[®]

SOLAR-RAY[®] SEARCHLIGHT

ONE YEAR LIMITED WARRANTY

PERKO, INC. (PERKO) warrants to the original commercial-purchaser that PERKO'S commercial products will be free from defective materials or workmanship, and that the PERKOPLATE/PERKO•KOTE Finish will remain corrosion-free under normal use and service, for a period of one (1) year from the original purchase date.

ALL IMPLIED WARRANTIES, INCLUDING MERCHANTABILITY, ARE ALSO LIMITED IN DURATION TO THE ONE YEAR PERIOD FROM THE ORIGINAL PURCHASE DATE.

PERKO SHALL NOT BE LIABLE FOR LOSS OF USE OF ANY OF ITS COMMERCIAL PRODUCTS, NOR FOR OTHER INCIDENTAL OR CONSEQUENTIAL COSTS, EXPENSES, OR DAMAGES INCURRED BY THE ORIGINAL COMMERCIAL-PURCHASER OR BY ANY OTHER PERSON.

SOME STATES DO NOT ALLOW LIMITATIONS ON HOW LONG AN IMPLIED WARRANTY LASTS, SO THE ABOVE LIMITATION MAY OR MAY NOT APPLY TO YOU. SOME STATES DO NOT ALLOW THE EXCLUSION OR LIMITATION OF INCIDENTAL OR CONSEQUENTIAL DAMAGES, SO THE ABOVE LIMITATION OR EXCLUSION MAY OR MAY NOT APPLY TO YOU.

This warranty is void if the commercial product warranted has been damaged by accident or unreasonable use, neglect, improper service or other cause not arising out of defects in material or workmanship. Excluded from this warranty are Electric Light Bulbs (lamps), Sealed Beam Units and Fuses.

During the warranty period, your PERKO product will either be repaired or it will be replaced with a like product (at PERKO's option) without charge to the original commercial-purchaser, when returned prepaid and insured, with proof-of-purchase date to PERKO at the address shown below. In the event of replacement, the replacement product will continue the warranty of the original product, or ninety (90) days, whichever is longer.

PERKO does not authorize any person or company to create for it any other obligation or liability in connection with any of its products.

Serial Number _____

Date of Purchase _____

(Retain with Proof-of-Purchase Documentation)

PERKO, Inc. • 16490 N.W. 13th Avenue • Miami, FL 33169-5707

9901 019 FRM